

# National Summit on Separate Licensing for Structural Engineers

Certificate of Authorization

June 9, 2000

James E. Trant, P.E.

Vice President

Carter & Burgess, Inc

Carter & Burgess Consultants, Inc

Carter & Burgess Design Group, Inc

etc

Sam B. Karnes, Esq

Boswell & Kober, PC

Fort Worth, TX

817-878-4300

# Certificate of Authorization

Problem

50 States

50 Rules

50 Possible organization structures

# History

Sumner Schein, Architects and Engineers

Prior to 1992, a general partnership of architects and engineers, Mr Schein founded firm in 1921.

1992, Mr Schein's role was being reduced, firm became Sumner Schein, Architects and Engineers, Inc.

# History

1994, questions arose regarding organizational structure, discovered that firm was not in compliance with any state for the combined practice of Architecture and Engineering.

1995, two firm identities were developed

Sumner Schein Architects and Engineers, Inc (MA)

Sumner Schein Architects and Engineers, Inc (DE)

# Functional Requirements

Owners

Directors

Officers

Arch or Eng'r in Charge

# Massachusetts

To practice architecture and engineering, a corporation must satisfy the statutory requirements for registration as a professional corporation

- (i) All shareholders must be licensed to practice architecture or engineering in any state;
- (ii) A majority of the directors must be licensed to practice architecture or engineering in any state;

## Massachusetts (cont.)

(iii) All officers (except treasurer, clerk, secretary and assistants) must be licensed to practice architecture or engineering in any state; and

(iv) All shareholders, directors, officers and employees who will render a professional service in MA must be licensed to do so in MA.

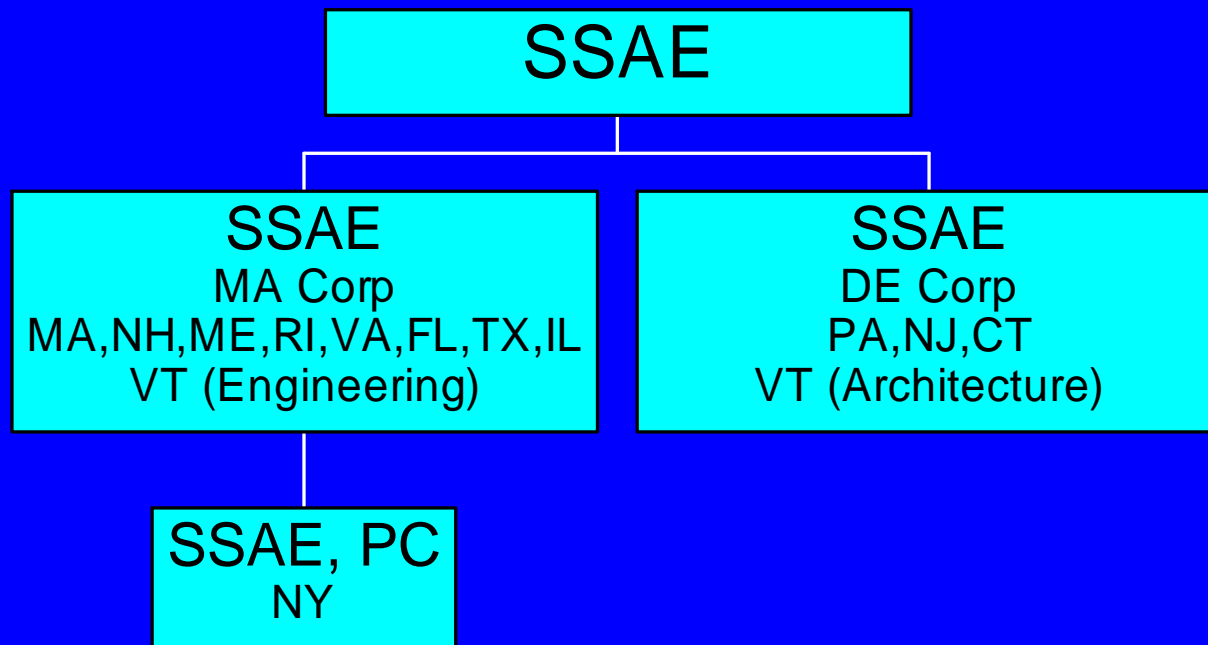
(v) At least one of the officers of a corporation performing architectural services must be an architect licensed in MA.

Note: There may be additional requirements under certain provisions of MGL associated with specific authorities or agencies.

# Virginia

Except for registering with the VA Dept of Professional and Occupational Regulation, the relevant requirement for practice in architecture and/or engineering is that the corporation designate at least one VA licensed architect and/or one VA licensed engineer to be responsible for the respective professional services rendered by the firm

# Sumner Schein Architects and Engineers, Inc



# Issues

Parochialism

States' Rights

Protectionism

National Practices

Large Firms

Small Firms

Title Blocks

PL Insurance

Taxes