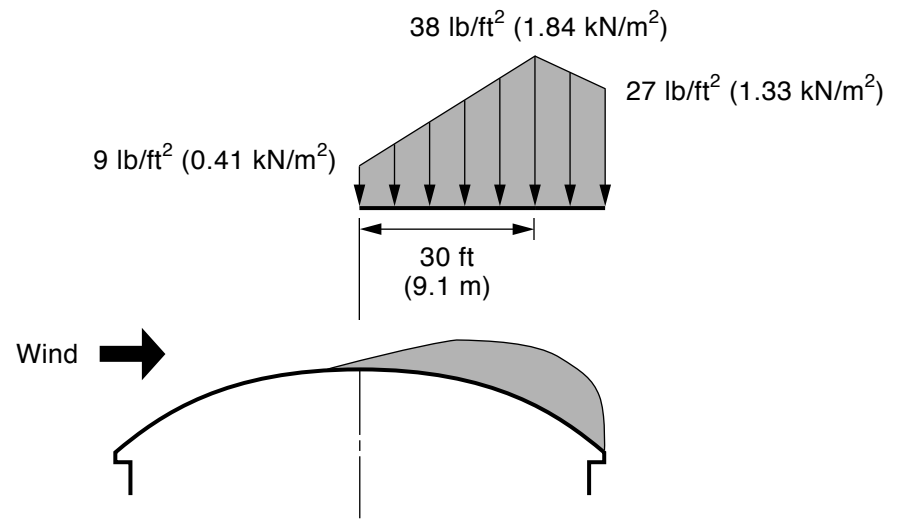


a. Balanced Condition



b. Unbalanced Condition